

WARNING: Warning devices are strictly regulated and governed by Federal, State and Municipal ordinances. These devices shall be used ONLY on approved vehicles. It is the sole responsibility of the user of these devices to ensure compliance.

MOUNTING INSTRUCTIONS

Before starting the installation make certain you have the correct bracket for your application. A universal zbracket is supplied. The product is also designed for surface mounting. Drill holes where required in the mounting surface. The bolts provided can slide back and forth in the bar's rear channel to align with the mounting holes.

Install the UltraLITE by following the assembly instructions provided with the brackets and check for security.

Important: DO NOT over tighten mounting screws or nuts. This could cause permanent damage to the light or bracket. Use appropriate hardware for mounting.

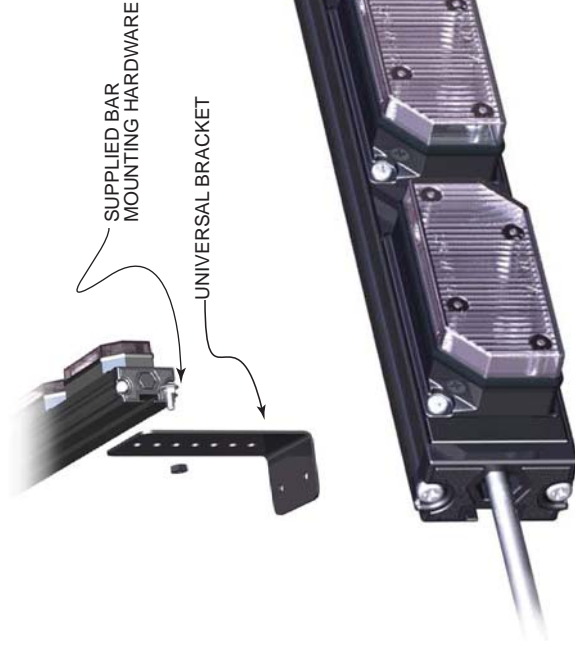
Universal bracket shown is supplied but mounting screws are customer supplied.

PATTERN SELECTION

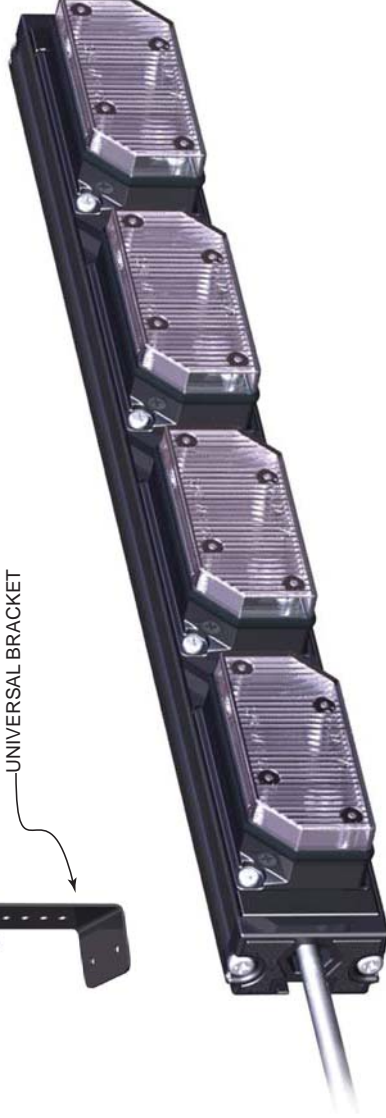
1. Connect black wire to ground.
2. Connect red wire to +Vdc.
3. Apply +Vdc to white wire for less than one second (momentary) to move forward one pattern.
4. Apply +Vdc to white wire for one second (until the lights dim) to move backwards one pattern.
5. Apply +Vdc to white wire for more than two seconds (until the lights turn off) to turn off the UltraLITE.
6. To turn the unit back on, apply +Vdc to the white wire momentarily.

WARNING

This product contains high intensity LED devices. To prevent eye damage, DO NOT stare into light beam at close range.



ULTRALITE PLUS EXTERIOR WARNING BAR 4 MODULE EXTERIOR BAR ASSEMBLY INSTRUCTIONS 12v: EL3PD04A00(x)



FLASH PATTERNS

#	Pattern Name
1	Quint Flash - Alternating
2	Warp Flash - Alternating
3	Inter-cycle Flash - Alternating
4	Double Flash - Alternating
5	Quad Flash - Alternating
6	3 Flashes / Second - Alternating
7	3 Flashes / Second - Simultaneous
8	Q-Switch - Alternating
9	Driver Side - Steady Burn
10	Passenger Side - Road Runner Flash
11	Driver Side - Steady Burn
12	Passenger Side - Quint Flash
13	E-Pattern Single Flash - Alternating
14	E-Pattern Double Flash - Alternating
15	E-Pattern Single Flash - Simultaneous
16	E-Pattern Double Flash - Simultaneous
17	Q-Switch - Every other
18	LiteRyder - Slow Sweep
19	LiteRyder 2 - Fast Sweep
20	Progressive - Alternating
21	Center - Steady Burn
22	Center - RoadRunner Flash - Alternating
23	Center - Steady Burn
24	Center - Intercycle - Alternating
25	Center - Steady Burn
26	Center - Q-Switch - Alternating

WIRE HOOK-UP TABLE	Wire Color	Connect to:
	Red	+Vdc
	Black	Ground (-)
	White	Pattern Select

Input Voltage (+Vdc): EL3PD04A00(x) 10-16Vdc

Current: 2 Amps Maximum

