



3900 Central Parkway
Hudsonville, MI 49426
toll free 800.338.7337
office 616.896.7100
techsupport@soundoffsignal.com
www.soundoffsignal.com

COMMERCIAL VEHICLE FLASHBACK™ PLUG IN WARNING MODULE (ECVFBSS)

CAUTION

The ECVFBSS flasher is intended to be used on commercial vehicles only. This flasher is designed for use with 4 independent LED type rear turn signal lights only. This flasher is also intended to operate an LED light bar for center out function and left arrow function only.

NOTICE

Operating incandescent lights with this module will permanently damage the module and void the warranty.

INSTALLATION

VEHICLE REAR WIRES:

These are the wires that are already located at the rear of the vehicle. The Brown, Black, Red and White wires pass directly to the same color wires on both the upper and lower lighting plugs. The Green right turn signal wire and the Yellow left turn signal wire go to internal circuitry to allow for independent flashing of the turn signal LED lights.

Brown Wire: tail light Red Wire: Stop Light
Black Wire: marker light White Wire: Ground

FUNCTION WIRES:

These wires need to be added from the cab to where the module is mounted.

Red/White Wire: This wire supplies power to the module and to the light bar. A 15 amp fuse must be connected at the origin of this wire. Do not use a circuit breaker or fusible link for this purpose. An ATO style fuse and fuse holder is recommended.

Blue Wire: This wire goes to the switch that will turn the flasher on and off. This can be a single pole switch that has the other contact connected to power.

Blue/White Wire: This wire is connected to the park/neutral switch in the cab. When ever this switch is activated and the flasher is turned on, the light bar will change from center out to left arrow.

Orange Wire: This wire is used to select the pattern.

NOTE:

- If this wire is connected to ground, the 4 turn signal LED's will QUAD flash in an "X" pattern.
- If this wire is connected to power, the 4 turn signal LED's will double flash in a "X" pattern.
- If this wire is left unconnected, the 4 turn signal LED's will double flash alternately from top to bottom.

UPPER LIGHTING PLUG:

This plug is used to power the upper rear lights of the vehicle.

Brown wire: tail lights Black wire: marker lights
Green wire: right turn signal LED
Yellow wire: left turn signal LED
Red wire: stop lights White wire: ground

LOWER LIGHTING PLUG:

This plug has the same functions as the UPPER LIGHTING PLUG.

LIGHT BAR PLUG:

This plug has power wires control wires for an LED light bar.

White Wire: Ground wire for light bar

Red Wire: Power wire for light bar

CAUTION:

The Blue, Green and Red wires from the module are neither ground or power. These are "LOGIC" level signals on these 3 wires. Touching any of these wires to ground or to power will destroy the electronics inside the bar.

Be sure that the 3 wires on each side of the plug match before connecting the plugs.

IMPORTANT:

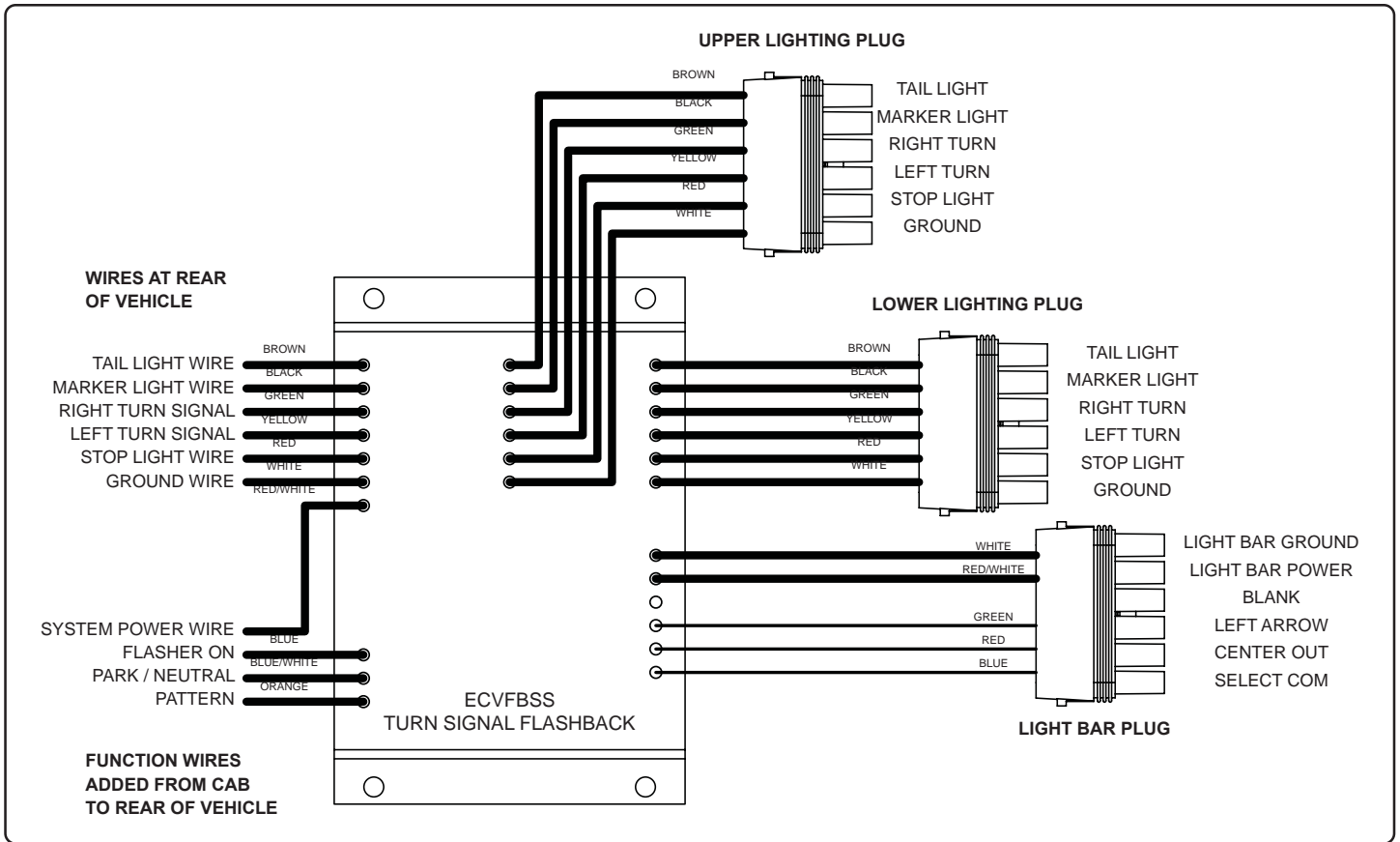
Be sure to test the function of the turn signals on both sides with the flasher turned off. If a turn signal LED fails to light, make the connections to that light from the flasher module to the LED and the LED to ground. Turn on the flasher to be sure that all 4 turn signals are flashing correctly.

If at any time, a turn signal light flashes when the flasher is turned on but does not flash with the turn signal from the cab check the connections at the flasher input wires. If there is a signal coming from the cab into the module and there is no signal coming out of the module, the module must be replaced immediately.

While installing this module, if there are any problems or questions regarding the install, or if there are any problems with the function of the module, be sure to call the Technical Services department at 1-800-338-7337 for more information.

WARRANTY

SoundOff Signal warranties the ECVFBSS Solid State Flasher System for a period of 5 years from date of purchase to the original purchaser against any manufactured defects or workmanship.



WIRING SCHEMATIC

When mating with harnesses use supplied female housings with the following Packard terminals and cable seals:

20 GA

Male Terminal part number 12089040 (not supplied)

Cable Seal part number 12041351 (not supplied)

14 GA

Male Terminal part number 12124582 (not supplied)

Cable Seal part number 12015323 (not supplied)

NOTE: If a harness is not used connect supplied harness with cavity plugs (supplied) inserted into every wire open wire slot.