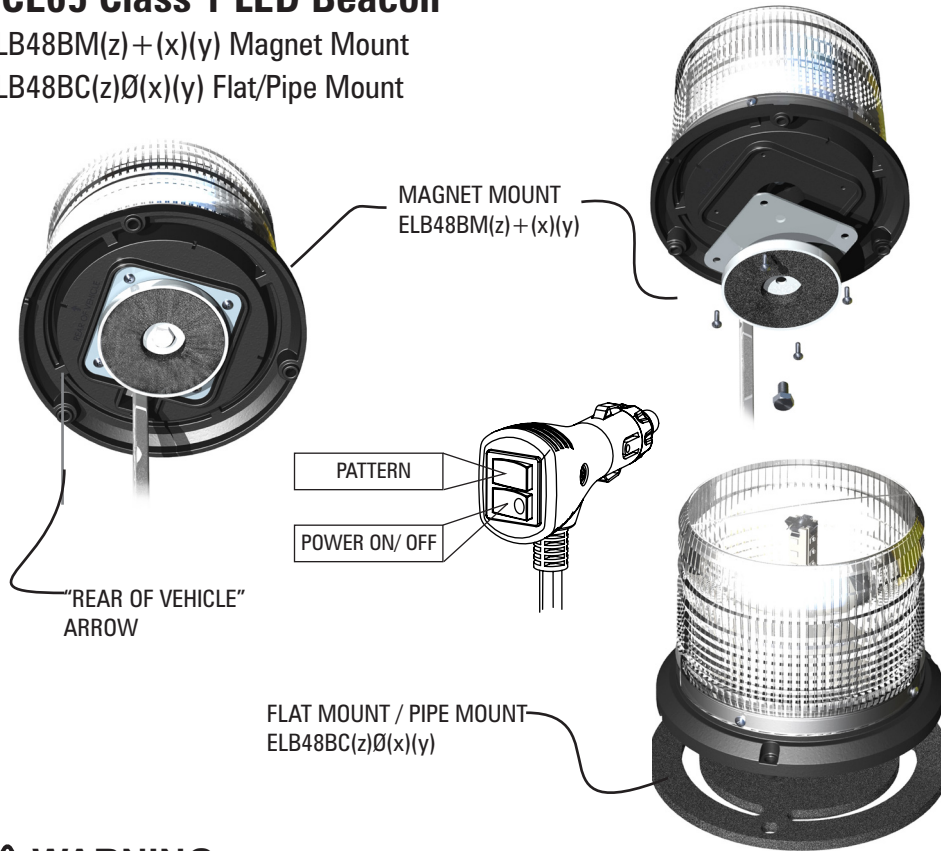


ECE65 Class 1 LED Beacon

ELB48BM(z) + (x)(y) Magnet Mount

ELB48BC(z)Ø(x)(y) Flat/Pipe Mount



⚠ WARNING *Please see reverse for Technical Specifications*

- HIGH CURRENT interconnects must be properly terminated. Poor crimp quality can cause heat build-up and fire. Follow crimp connector manufacturer instructions.
- DO NOT install this product or route any wires in the Air Bag Deployment Zone. Refer to vehicle Owner's Manual for deployment zones.
- Do NOT use system to disconnect headlights, brake lights or other safety equipment.
- Unit may become hot to touch during normal operation.
- Failure to properly install connectors, fuses or wiring may cause vehicle failure or fire.
- Installation must only be performed by trained technician. Installer must determine vehicle wiring configuration and proper integration of system.
- Use proper wire gauge. All power wires connecting to positive (+) or negative (-) battery terminal or local chassis ground (-) must be sized to supply at least 125% of max. current and properly fused at power source.
- Install protective grommets when routing wire through firewall or metal.

Installers and users must comply with all applicable federal, state and local laws regarding use and installation of warning devices.

*Improper use or installation may void warranty coverage. To review our Limited Warranty Statement & Return Policy for this or any SoundOff Signal product, visit our website at www.soundoffsignal.com/sales-support. If you have questions regarding this product, contact **Technical Services**, Monday - Friday, 8 a.m. to 5 p.m. or after hours 5 p.m. to 8 p.m. EST at 1.800.338.7337 (press #4 to skip the automated message). Questions or comments that do not require immediate attention may be emailed to techservices@soundoffsignal.com.*

**SoundOff
Signal**
Smart Design.

1.800.338.7337 / www.soundoffsignal.com

SUPERIOR CUSTOMER RELATIONSHIPS. SMARTLY DESIGNED LIGHTING & ELECTRONIC SOLUTIONS.

INSTALLATION:

Magnet Mount

- 1) Install square metal plate with PEM nut up using M3x10mm screws as shown.
- 2) Carefully place beacon on steel top of vehicle with "Rear of Vehicle" arrow toward rear.
- 3) Route wire to 12V socket.

Flat Mount

- 1) Determine location where beacon is to be installed and drill $\varnothing 1/2$ " hole at the center for cord exit.
- 2) Using the housing as a guide mark the centers of hole positions in three places (note "Rear of Vehicle" Arrow) and drill appropriate pilot holes.
- 3) With wire through center of gasket make electrical connections.
- 4) Ensure "Rear of Vehicle" Arrow is in correct position and install 3 screws being careful not to strip out pilot holes. DO NOT OVERTIGHTEN.

Pipe Mount

Beacon may be installed on a vertical pipe with 1" NPT thread.

- 1) Feed wires through pipe and make electrical connections.
- 2) Screw base of beacon to pipe (clockwise). Adjust pipe or beacon so that "Rear of Vehicle" Arrow points to the rear.



NOTICE:

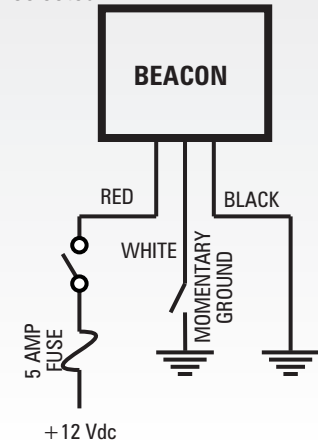
OPERATION:

Magnet Mount

- 1) Place beacon on roof of vehicle
- 2) Route wire through window
- 3) Plug into 12V socket
- 4) Refer to diagram at left for POWER ON/OFF switch and Pattern Select switch locations
- 5) Turn beacon ON by pressing the POWER ON/OFF switch to the ON position
- 6) With beacon OFF, press and hold PATTERN SELECT switch for 1 second until you see the beacon flash the new pattern then release
- 7) Holding the PATTERN SELECT switch for > 5 seconds while the beacon is ON will reset the beacon to pattern #1

Flat / Pipe Mount

- 1) Connect wires as shown below (note that white wire is for momentary ground (used for pattern selection) and should be taped after pattern is selected.



ECE65 Class 1 LED Beacon

ELB48BM(z) + (x)(y) Magnet Mount

ELB48BC(z)Ø(x)(y) Flat/Pipe Mount

TECHNICAL SPECIFICATIONS	
Overall Dimensions:	124mmH x 161mmØ
Flash Patterns:	6 flash patterns
Input Voltage Range:	9 - 30 Vdc
Current Consumption:	less than 2 amps
# of LEDs:	16 Generation 3 LEDs
Light Sync Technology:	Yes
Operating Temperature:	-40° to +65° C
Cord Length Magnet:	125.75"
Cord Length Permanent:	26.75"

Flash Patterns	
Simultaneous Patterns	FPM (Flashes per Minute)
1. Single	125
2. Double	125
3. Triple	123
Alternating Patterns	FPM (Flashes per Minute)
4. Single	62
5. Double	62
6. Triple	61

Replacement Parts & Accessories:

E36ØBG4: Metal Branch Guard for 102mm Low Dome

E36ØBG6: Metal Branch Guard for 152mm High Dome

E36ØDC6: Clear Dust Cover for 102mm Low and 152mm High Dome

ET2BLL(x): Replacement 102mm Low Dome

ET2BLT(x): Replacement 152mm High Dome

PE2BBDR2: Black Dress Ring



1.800.338.7337 / www.soundoffsignal.com

ECE65 Class 1 LED Beacon

ELB48BC(z)Ø(x)(y) Flat/Pipe Mount

NOTE: The Magnet Mount Beacon (ELB48BM(z) + (x)(y)) **CANNOT** be synced.

Beacon Light Sync Configuration Instructions

- Set ID#**
 - Identify which pattern and sequence you want.
 - Connections
 - RED: +12Vdc
 - WHT: +12Vdc (Note: you will need to disconnect after power is applied)
 - BLK: Ground
 - Apply power to unit
 - Without disconnecting power from red wire, disconnect WHT wire
 - Momentarily connect WHT to Ground to change ID #
 - Identify ID# by number of sequential flashes
 - Possible ID#s: 1 – 4
 - Disconnect power from red wire to get out of ID mode.
- Set Pattern**
 - Reapply power to red wire.
 - Once all Light Head ID#s are configured, **make sure all lights are flashing the same pattern.**
 - Connect corresponding colored wires of all units together: RED to RED, etc.
 - Change Pattern
 - Momentarily connect WHT wires to Ground
 - Observe pattern change on all lights connected
 - Insulate all wire connections
- Reset Pattern**
 - Remove power
 - Place WHITE (sync) wire to ground
 - With sync wire grounded, re-power RED wire
 - Maintain for one second (light will dim)
 - Remove power and ground (pattern 1 set)

SEQUENCE:

2 LIGHTS

SIMULTANEOUS: To obtain Simultaneous patterns, follow the ID SELECTION steps and set one Beacon to ID#1 and the other to ID#3 for Patterns 1-3. Then proceed to PATTERN SELECTION steps.

ALTERNATING: To obtain Alternating patterns, follow the ID SELECTION steps and set one Beacon to ID#2 and the other to ID#4 for Patterns 4-6. Then proceed to the PATTERN SELECTION steps.